

24 Volt Dry Charged Batteries for Turbo Prop and Jet Application



GE-50C

- 24 Volts
- 31 AH at the 1 Hour Rate
- 55 Amps 30 Minute Emergency Capacity
- 325 CCA at 0° F for 60 Seconds
- 80 Lbs. (Filled)
- 1.285 SG Electrolyte, 8 Quarts



GE-51C

- 24 Volts
- 22 AH at the 1 Hour Rate
- 35 Amps 30 Minute Emergency Capacity
- 235 CCA at 0° F for 60 Seconds
- 56 Lbs. (Filled)
- 1.285 SG Electrolyte, 4 Quarts

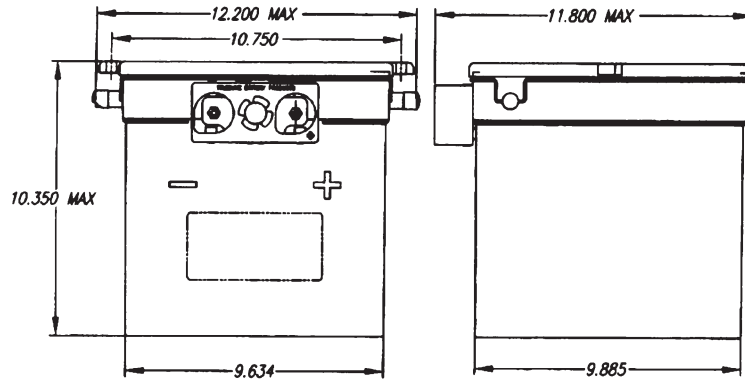


GE-54C

- 24 Volts
- 10 AH at the 1 Hour Rate
- 16 Amps 30 Minute Emergency Capacity
- 106 CCA at 0° F for 60 Seconds
- 34 Lbs. (Filled)
- 1.285 SG Electrolyte, 3 Quarts

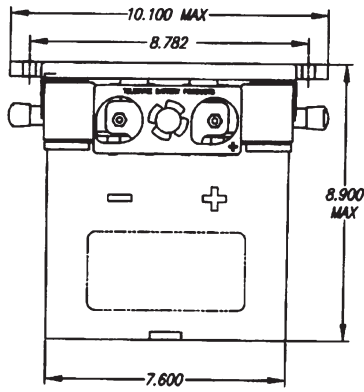
GE-50C

- North American AT6-C, AT6-D, AT6-F, T-6G, SNJ-5, SNJ-6, SNJ-7, or any BC-1a, AT-6, AT6-A, AT6-B, SNJ-2, SNJ-3, SNJ-4, Converted to 24 volts per North American Dwg 121-954004.P-51
- Gulfstream Commander: 500, 520, 560, 560A, 560E, 680, 680E, 720



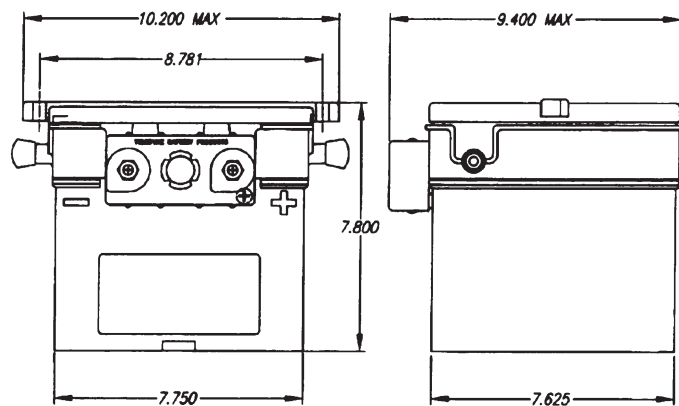
GE-51C

- Air Tractor: AT301, AT301A



GE-54C

Contact Teledyne Battery Products for applications



GE-50C, GE-51C, GE-54C

The Original Equipment Aircraft Battery



TELEDYNE
BATTERY PRODUCTS
A Teledyne Technologies Company

840 W. Brockton Ave., Redlands, CA 92374
(800) 456-0070 • (909) 793-3131
Fax: (909) 793-5818

www.gillbatteries.com