

**SUPER
CAPACITY**

7242-16

Sealed Aircraft Battery, VRLA, LT Technology, 24V, 16Ah



| SPECIFICATIONS | | | |
|----------------------------------|-------------|-------------|---------------|
| Model | 7242-16 | | |
| Nominal Voltage, V | 24 | | |
| One Hour Capacity, C1, Ah | 16 | | |
| 30 Minute Emergency Rate, C/2, A | 25 | | |
| Weight, Lb. Maximum | 29.70 | | |
| Power Performance | 23°C (75°F) | -18°C (0°F) | -30°C (-22°F) |
| I _{pp} , A | 1100 | 640 | 495 |
| I _{pr} , A | 480 | 300 | 250 |



NEW
7242-16
AVAILABLE NOW,
AT DISTRIBUTORS

Upgrade to the Next Generation of Lead-Acid Technology!

- ✓ TSO Authorized
- ✓ DO-160E Tested
- ✓ Sealed, VRLA, Non-Spillable
- ✓ 18 Month/1800 Hour Capacity Check Inspection
- ✓ 2 Year Warranty
- ✓ FAA-PMA



TELEDYNE BATTERY PRODUCTS
Everywhere you look™

909.793.3131

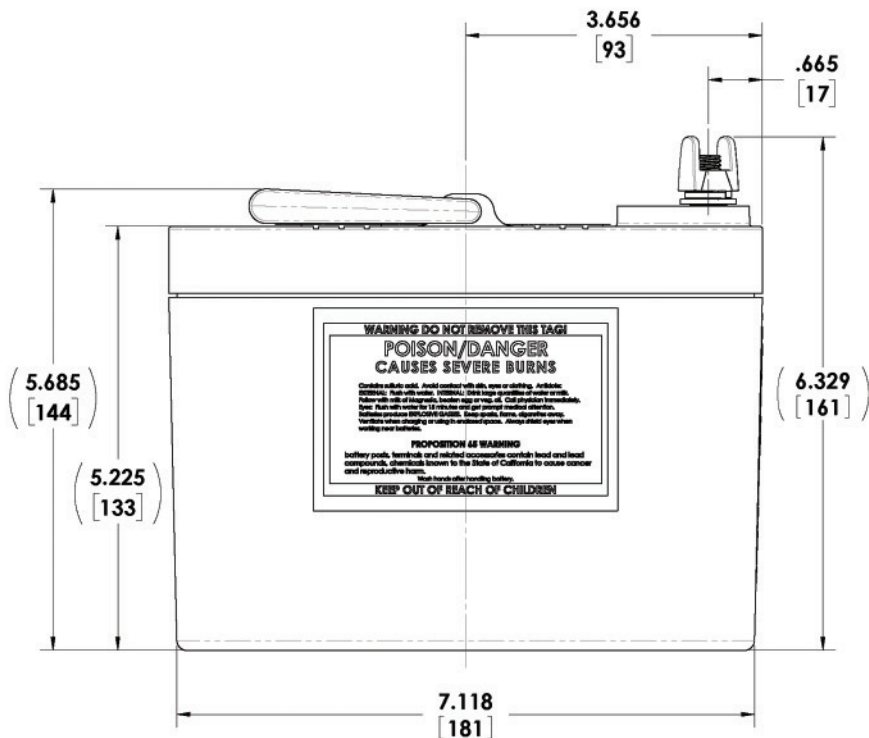
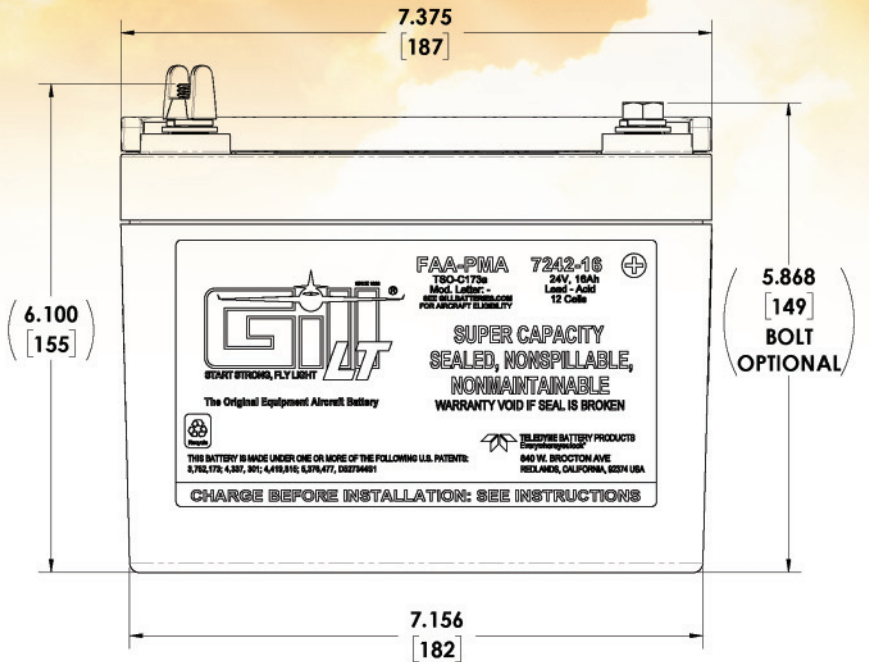
GILLBATTERIES.COM

Rev 2020/04/07

**SUPER
CAPACITY**

7242-16

AVAILABLE NOW AT DISTRIBUTORS



FAA-PMA APPROVED

| MAKE | MODEL |
|----------------------------|---|
| Cessna | F152, FA152, F172N, FR172K, FR182Q, FR182, 152, A152, 172N, R172K, 177B, 177RG, 180K, 182Q, R182, A185F, A188B, T188C, T206H, TU206G, U206G, 207A, T207A, 210M, 210N, 210R, P210N, T210M, T210N, T210R, 337H, FT337HP, P337H, T337H, T337H-SP |
| Beechcraft | C23, C24R, F33C, V35B, A36, G36, D55, D55A, E55, E55A, 58TC, 58TCA, 76, 95-55, 95-A55, 95-B55, 95-B55A |
| Mooney | M20J, M20K |
| Piper | PA-31, PA-31-300, PA-31-325, PA-31-350, PA-36-285, PA-36-300 |
| Robinson Helicopter | R-44, R-44 II |
| Socata | TB9, TB10, TB20, TB21, TB200 |

No STC's or modifications required for any of the models listed

